



**PRINOTH**  
ROTOVATORS /  
SUBSOILERS



# RFL700



The rotovator RFL700 can be used as a subsoiler and as mulcher. The RFL700 is a multipurpose machine with two working speeds.



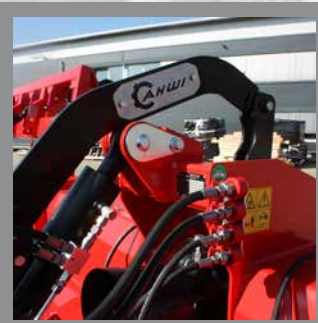
Compacting roller



Belt-tensioner



HDT Rotor



Z-Kinematics

TECHNICAL SPECIFICATION	RFL700-2000	RFL700-2300
Power class	140-220 HP	140-220 HP
Working width	2000 mm (78.7 in)	2300 mm (90.6 in)
Working depth up to	300 mm (11.8 in)	300 mm (11.8 in)
Power take off speed	1000 rpm	1000 rpm
Tools	48 x HDT	56 x HDT
Weight	2700 kg (5952 lbs)	3200 kg (7055 lbs)



# R800

AVAILABLE IN 2021

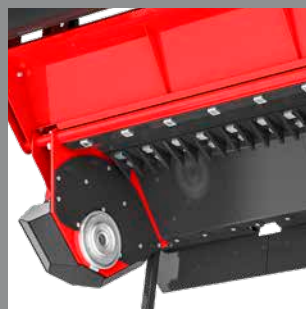


The new PRINOTH R800 rotovator is developed especially to shred roots and remnants of roots and to incorporate them into the subsoil. The shredding and the mixing of the biomass is done in a single operation.



## Perfect shredding

The UPT tool system takes care of perfect shredding with an optimal cross-section, which is arranged for optimal impact on the rotor.



## Counter blades

Through the versatile possibilities in tools and housing linings, tailored to individual conditions, operating costs can be slashed.



## Versatility

With the tiller cutting depth and the possibility of the rotor turning in reverse, the R800 covers a wide spectrum of applications with tractors of high horse power.



## Cooling

The oil cooler integrated within the housing, and the actively cooled belt drive, increased performance and service life even under the toughest operating conditions.

## TECHNICAL SPECIFICATION

Power class	200-360 HP
Working width	2300 mm (90.6 in)
Working depth up to	400 mm (15.7 in)
Power take off speed	1000 rpm
Tools	50 x UPT
Weight	4300 kg (9480 lbs)



# RF800



The rotovator RF800 is a best in class solution for soil recultivation and stump grinding in medium and heavy duty applications.



Belt-drive cooling



W-Kinematics



Gear-box cooling



Friction-clutch

TECHNICAL SPECIFICATION	RF800-2000	RF800-2300
Power class	180-300 HP	180-300 HP
Working width	2000 mm (78.7 in)	2300 mm (90.6 in)
Working depth up to	400 mm (15.7 in)	400 mm (15.7 in)
Rotor diameter	800 mm (31.5 in)	800 mm (31.5 in)
Tools	48 x HDT / 44 x UPT	56 x HDT / 50 x UPT
Weight	3650 kg (8047 lbs)	4200 kg (9259 lbs)

# RF1000



The rotovator RF1000 is developed for the hardest heavy duty applications. Numerous configuration options always guarantee an optimal result.



Rotor propulsion



Spring comb



Gear-box cooling



Compacting roller

## TECHNICAL SPECIFICATION

Power class	260-400 HP
Working width	2000 mm (78.7 in)
Working depth up to	500 mm (19.7 in)
Power take off speed	1000 mm (39.4 in)
Tools	54 x HDT
Weight	4900 kg (10803 lbs)



# S700-650



The subsoiler S700-650 is a multipurpose machine. Adapted for application as recultivation of soil and stump grinding, especially for row subsoiling.



Counter knives



Belt-tensioner



Compacting



Adjustable skids

## TECHNICAL SPECIFICATION

Power class	100 - 240 HP
Working width	650 mm (25.6 in)
Working depth up to	250 mm (9.8 in)
Tools	16 x HDT
Weight	1670 kg (3682 lbs)

# TOOLS

## TYP UPT

- + Reduced fuel consumption
- + Extremely resistant and impact resistant in stony soils



UPT02 UPT08.02 UPT09 UPT11

## TYP HDT

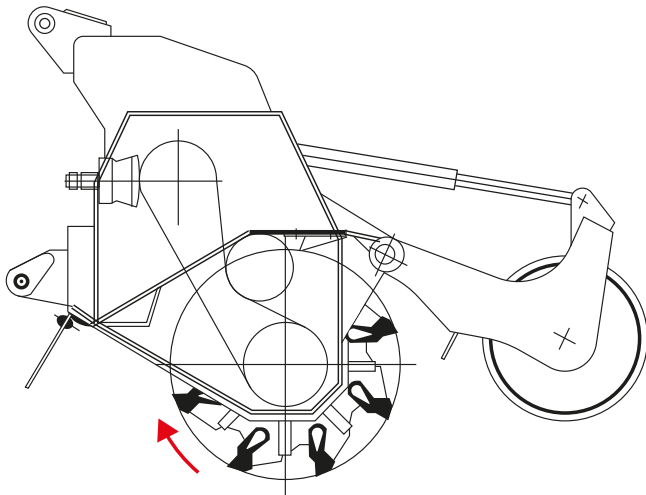
- + High flexibility
- + First-class shredding quality



HDT01 HDT02 HDT03 HDT04 HDT07

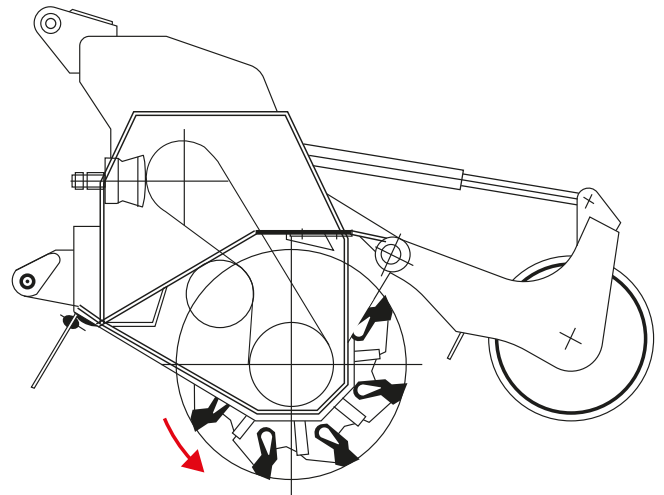
# OPTIONS

## REVERSE



- + Gear-box cooling
- + W/Z-Kinematics

## STANDARD



- + Spring comb
- + Compacting roller

- + Adjustable skids
- + Clutch





Other sales and service sites can be found on [www.prinoth.com](http://www.prinoth.com)

PRINOTH GmbH  
Im Branden 15  
88634 Herdwangen  
GERMANY  
Phone +49 (0)7557 9212-0  
[prinoth.germany@prinoth.com](mailto:prinoth.germany@prinoth.com)

PRINOTH AG  
Brennerstraße 34  
39049 Sterzing (BZ)  
ITALY  
Phone +39 0472 72 26 22  
[prinoth@prinoth.com](mailto:prinoth@prinoth.com)

PRINOTH Ltd.  
1001 J.-A. Bombardier Street  
Granby Qc J2J 1E9  
CANADA  
Phone +1 450 776 3600  
[sales.na@prinoth.com](mailto:sales.na@prinoth.com)