



PTO DRIVEN
MULCHERS





PIONEER SINCE 1990

LEADING IN MULCHING TECHNOLOGY

Mulching, tilling, clearing. With all your work, you are preparing the ground for something new – and under the toughest conditions. Here you can rely on the technological leader in vegetation management. PRINOTH will support you with innovations and highly efficient product solutions for perfect sustainable results. You will profit from the know-how and experience of the originator of the first mulcher with fixed tools. Building upon AHWI Engineering GmbH, PRINOTH today unites the agility and dynamics of a medium-sized business with the strength and reliability of the international PRINOTH Group.

“Made by PRINOTH” products are defined by high quality and matchless durability. The focus on mechanical drive systems guarantees you maximum efficiency with minimum fuel consumption and optimum performance. Competent advice and worldwide service with the best supply of spare parts provide the basis for superior economic efficiency and reliability – day by day, and year by year. For PRINOTH this constitutes “for solid ground”.

PRINOTH SUPPORTS YOU ALL THE WAY



CONSULTATION AND DIALOGUE

This is the basis of good partnership, so that PRINOTH solutions perfectly fulfil your requirements.



RESEARCH AND DEVELOPMENT

At PRINOTH we work continuously and intensively on forward-looking innovations and more efficient products.



PRODUCTION

The high-quality PRINOTH products are carefully processed and optimised for the toughest applications.



QUALITY MANAGEMENT

PRINOTH has held the DIN ISO 9001 certificate for many years and we continually improve our internal processes.



DELIVERY

Time is money. Therefore you can be firmly assured that PRINOTH will deliver quickly and on schedule.



COMMISSIONING

So that you get the best value from the start, you will be instructed by certified PRINOTH personnel.



OPERATION

Wherever you work with a PRINOTH machine, you can rely on the utmost durability and efficiency.



SERVICE

Following purchase, the PRINOTH After-Sales Network accompanies you with tailor-made services and a reliable supply of spare parts.

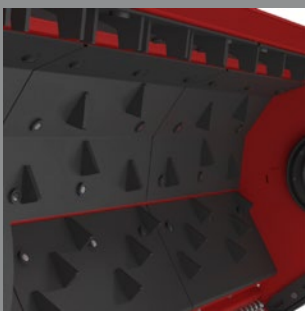
M550m



The M550m is a mulcher for medium-heavy applications with a rotor diameter of 21.6 in (550 mm). It is suitable for carrier vehicles with 100 to 250 HP and CAT III/IV.

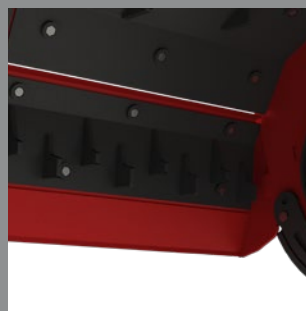
Benefits for you

- + Protected hydraulic lines
- + Flexibly configurable
- + Very simple to use



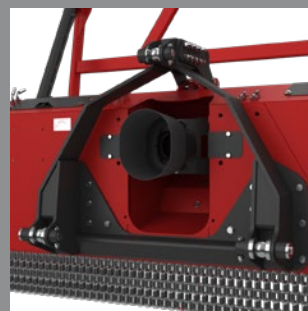
Body lining

Highly wear-resistant steel with counter blades reduces wear and tear and shreds the material more finely.



Two-stage counter blades

The offset blade arrangement requires less power and increases the shredding quality. (Optional)



Flexible linkage

The adjustable upper linkage point provides a flexible response to the carrier vehicle.



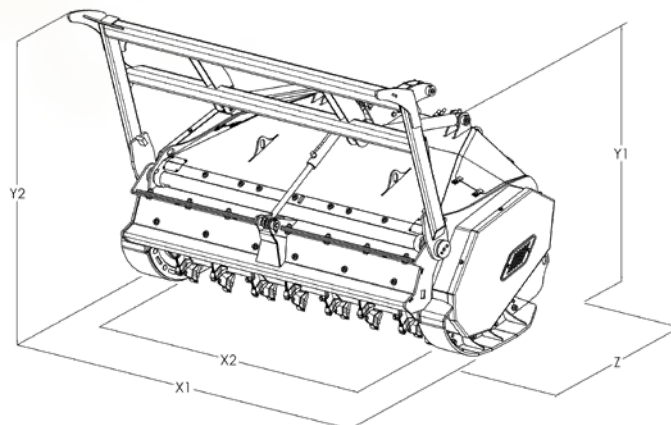
Power Belt

The spring tension of the belts reduces wear and tear and ensures optimum power transmission.

WORKING WIDTH IN MM	2110	2410
Power range HP	100 – 250	100 – 250
Total width in mm	2500	2800
Weight kg	2050	2200
Tools	52 x UPTs / 56 x BCS	60 x UPTs / 64 x BCS

Technical Data

	POWER RANGE HP	WORKING WIDTH IN MM (X2)	TOTAL WIDTH IN MM (X1)	HEIGHT IN MM (Y1)	DEPTH IN MM (Z)	WEIGHT LBS KG	TOOLS	POWER TAKE- OFF SPEED
M450m	80 – 180	1900	2200	1010	686	1100	40x BCS /48x UPTs	1000
	100 – 180	2200	2500	1010	686	1460	48x BCS /56x UPTs	1000
	120 – 180	2700	3000	1010	686	1540	56x BCS	1000
M550m	100 – 250	2110	2500	1203	1369	2050	52x UPTs /56x BCS	1000
		2410	2800	1203	1369	2200	60x UPTs /64x BCS	1000
M650m	200 – 350	2050	2500	1253	1520	2650	48/60x UPTs /60x BCS	1000
		2350	2800	1253	1520	2850	56/72x UPTs /68x BCS	1000
		2550	3000	1253	1520	3000	64/80x UPTs /72x BCS	1000
TURBO	200 – 400	2350	2800	1253	1520	3700	56/72x UPTs /68x BCS	1000
		2550	3000	1253	1520	4350	64/80x UPTs /72x BCS	1000
M700	250 – 500	2300	2800	1720	1710	4050	56/68x UPT	1000
	300 – 500	2500	3000	1720	1710	4700	76x UPT	1000
FM900	300 – 500	2300	2900	1973	1727	5400	52x UPT	1000



Tools

Our tools are designed to prevent the build-up of mounds in the middle of the mulching strip and reduce the risk of unbalance to a minimum.

To avoid unbalancing opposite tools should always be changed at the same time. In our system the opposing counterpart of the tool to be changed is easy to identify. Our tool systems are suitable for all ground conditions, vegetation types and densities. Depending on their layout, tools can be rotated when worn.

BCS ROTOR SYSTEM

- + Very high cutting performance
- + Perfect depth control
- + For jobs working above the ground or with slight ground contact



BCS02

BCS03

UPTS ROTOR SYSTEM

- + No need to retighten
- + Reduced power demand
- + Safe fit under extreme conditions
- + Universal for use above and in the ground



UPTS02

UPTS04

UPTS07

UPTS08

UPT ROTOR SYSTEM

- + Reduced fuel consumption
- + Suitable for stone-breaking
- + Universal for use above and in the ground



UPT02

UPT08.02

UPT09

UPT11

PTO SHAFT ALIGNMENT

W-Kinematic while keeping equal and W-shaped PTO shaft angles.

This prevents damage to the PTO shaft and supports an ideal adaptation to the conditions of the ground

- + Faster working
- + Better results
- + Longer lifetime of the PTO shaft plus higher lifting





Other sales and service sites can be found on www.prinoth.com

PRINOTH GmbH
Im Branden 15
88634 Herdwangen
GERMANY
Phone +49 (0)7557 9212-0
prinoth.germany@prinoth.com

PRINOTH AG
Brennerstraße 34
39049 Sterzing (BZ)
ITALY
Phone +39 0472 72 26 22
prinoth@prinoth.com

PRINOTH Ltd.
1001 J.-A. Bombardier Street
Granby Qc J2J 1E9
CANADA
Phone +1 450 776 3600
sales.na@prinoth.com